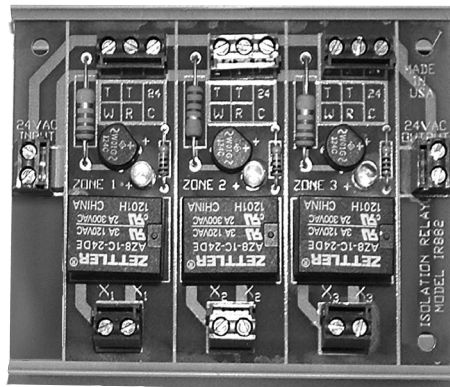




ARGO IR SERIES CONTROL IR882

INSTALLATION, OPERATION & MAINTENANCE MANUAL



IR882

Information and specifications outlined in this manual in effect at the time of printing of this manual. ECR International, Inc. reserves the right to discontinue, change specifications or system design at any time without notice and without incurring any obligation, whatsoever.



ECR international
EST. 1928
A Family of Heating & Cooling Brands.

Manufactured by:
ECR International, Inc.
2201 Dwyer Avenue, Utica NY 13501
web site: www.ecrinternational.com
www.argocontrols.com

⚠ WARNING

Fire, explosion, asphyxiation and electrical shock hazard. Improper installation could result in death or serious injury. Read this manual and understand all requirements before beginning installation.

Become familiar with symbols identifying potential hazards.



This is the safety alert symbol. Symbol alerts you to potential personal injury hazards. Obey all safety messages following this symbol to avoid possible injury or death.

⚠ DANGER

Indicates a hazardous situation which, if not avoided, WILL result in death or serious injury

⚠ WARNING

Indicates a hazardous situation which, if not avoided, could result in death or serious injury.

⚠ CAUTION

Indicates a hazardous situation which, if not avoided, could result in minor or moderate injury.

NOTICE

Used to address practices not related to personal injury.

Keep this manual near boiler
Retain for future reference

⚠ WARNING

All installations shall be done by a qualified expert and in accordance with the appropriate Argo manual. Installing an electric appliance with improper methods or materials may result in death or serious injury

INTRODUCTION

This manual is intended to familiarize the installer and user of the Argo IR882 Control Board with its installation and operation, to assure normal trouble-free performance of the control.

Argo controls are designed and manufactured with quality components to require minimal service and for maximum life and durability. Read these instructions before installing and operating the control. It is imperative that the instructions be followed carefully to insure a satisfactory installation. Failure to do so may result in breach of warranty.

FEATURES

- The IR882 Is designed to interface solid state thermostats to other systems to prevent chatter sometimes caused by power robbing thermostats.
- Each module contains three (3) SPST relays.
- Modules can be easily chained for additional thermostats.
- Isolation of power sources.

GENERAL WIRING NOTICE

All primary wiring must be 14 AWG minimum. Torque terminal screws 6 to 7 inch pounds.

U.S.A. - National Electric Code and any other national, state, or local code requirements. Wiring must be N.E.C. Class 1.

CANADA - C.S.A. C22.1 Canadian Electrical Code Part 1 and any other national, provincial, or local code requirements. Wiring must be C.S.A. C22.1 C.E.C. Part 1.

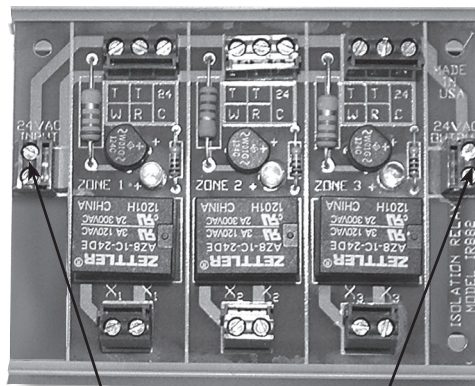
POWER REQUIREMENTS

The IR882 requires 24 VAC connection to the "24 VAC Input" terminals (left side of board). The power available at the "24 VAC Output" terminals is limited by the VA rating of the transformer used. (Transformer not included.)

Electrical Specifications

Argo Part Number	Argo Model Number	Transformer Voltage	Relay Switching Action
Z165	IR882	120V/60Hz/40Va	SPST
Relay rating - 2.5 amps, 1/10 horsepower @ 120/240 VAC			

IR882 ISOLATION RELAY MODULE



24 VAC input from 24 V power source.

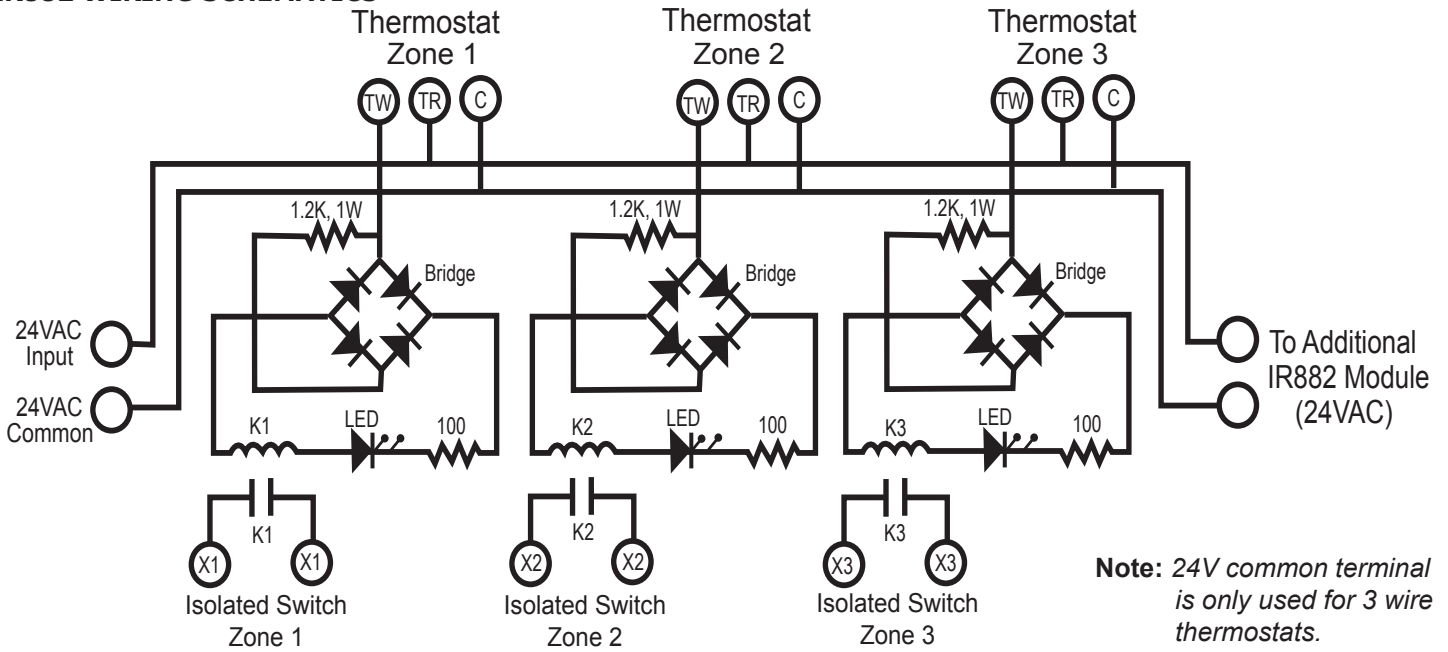
24 VAC output **used ONLY** for powering up other IR Series board's.

Note: All terminals on the IR882 are Class 2.

SEQUENCE OF OPERATION

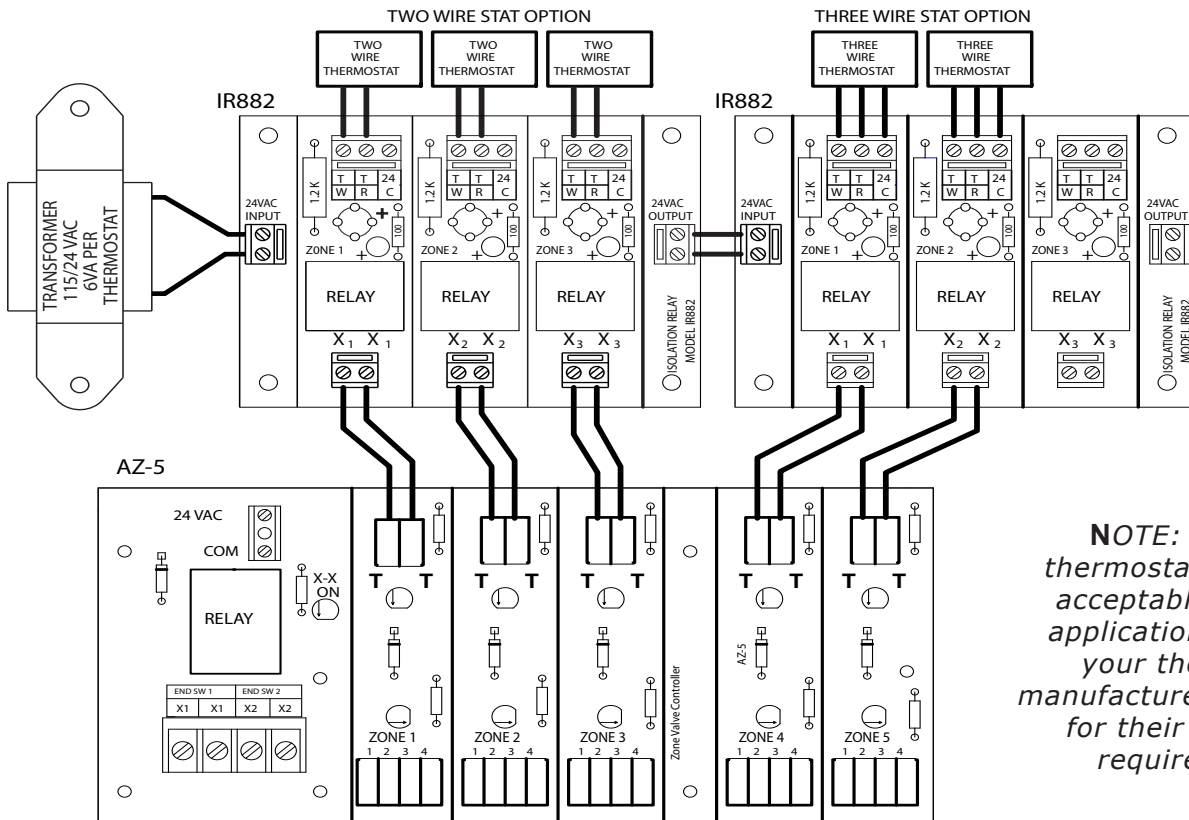
1. When thermostat calls for heat TW-TR contacts will close and green LED for corresponding zone will illuminate.
2. Corresponding X-X terminals are then closed, sending dry contact signal to device wired to these terminals.
3. When call from thermostat ends TW-TR contacts will then open, which in turn will open the corresponding X-X terminals. Green LED will also turn off.

IR882 WIRING SCHEMATICS



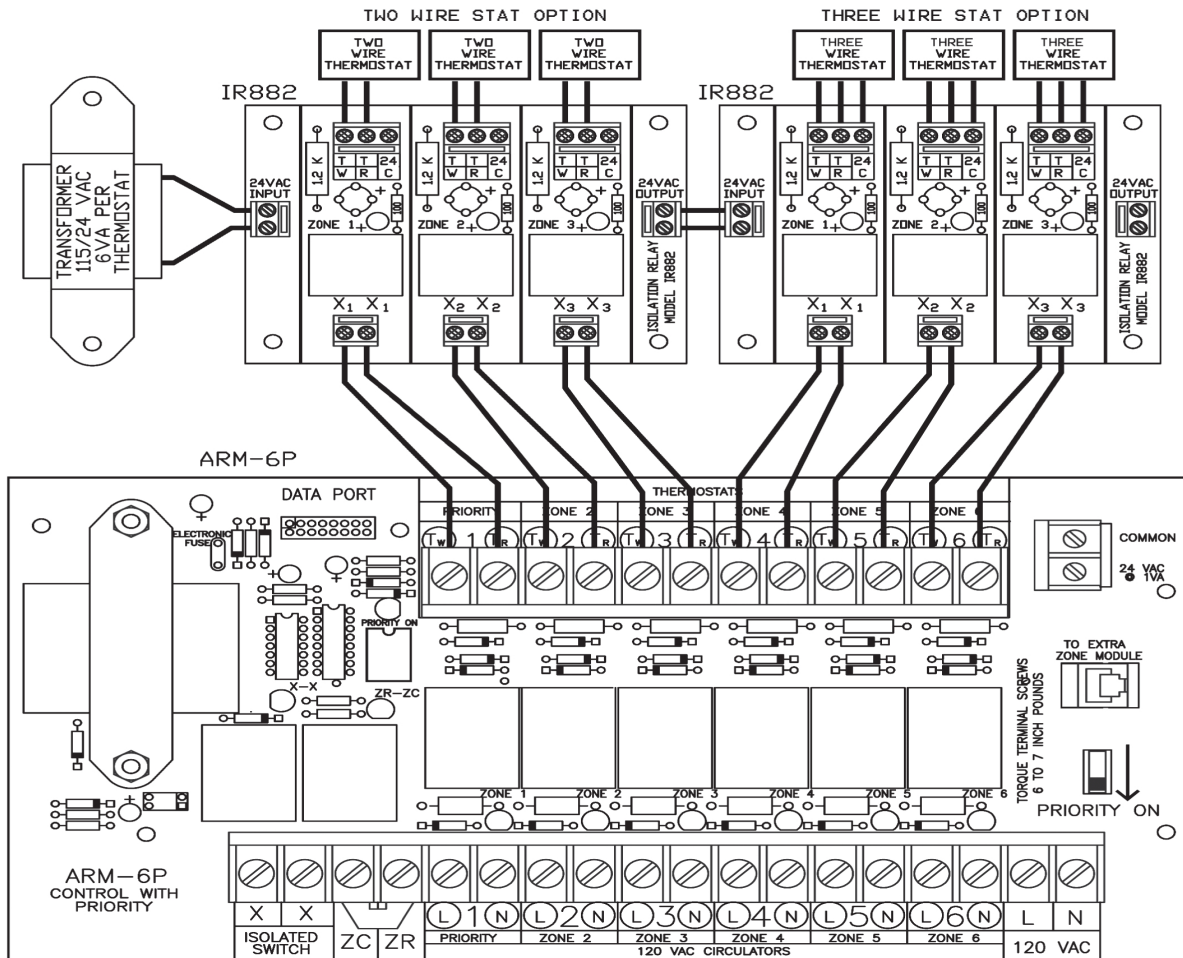
IR882 APPLICATIONS

Typical Application Using (2) IR882 Relays To Isolate Power Stealing Thermostats From An Argo AZ-5 Zone Control Panel



IR882 APPLICATIONS

Typical Application Using (2) IR882 Relays To Isolate Power Stealing Thermostats From An Argo ARM-6P Zone Control Panel



NOTE: 6VA per thermostat should be acceptable for most applications. Consult your thermostat manufacturer's literature for their actual VA requirements.

For technical support on this and all Argo products, please contact ECR International Technical Service at 1-800-325-5479. Please have your model number available when calling.

Information Needed When Calling

Model Number

Installation Date

Installer



ECR international
EST. 1928
A Family of Heating & Cooling Brands.

ECR International
2201 Dwyer Avenue
Utica, NY 13501

www.ecrinternational.com
www.argocontrols.com