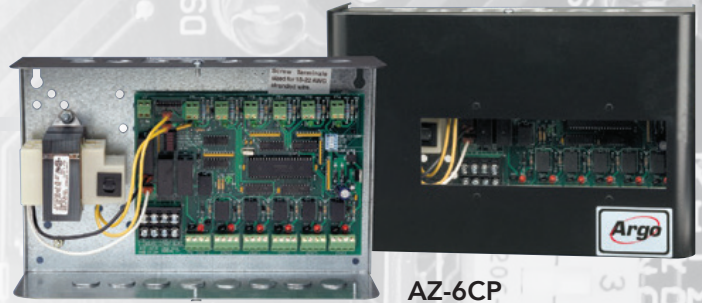




ZONE VALVE CONTROLS

AZ-4CP / AZ-6CP

Four and Six Zone Valve Controls with Built-in Circulator or Zone Valve Priority Option



AZ-6CP

Application Flexibility

- Four (AZ-4CP) or six (AZ-6CP) zone valve controller with priority
- Switchable priority (ON/OFF)
- Priority zone is field configurable for use with either circulator or zone valve
- Controls three or four wire 24 Vac zone valves

Ideal for Indirect Hot Water Applications

- Choice of circulator or zone valve for priority
- Option for tankless coil boiler applications
- Optimum performance with circulator priority, increasing hot water flow up to 20%

Installation & Service Features

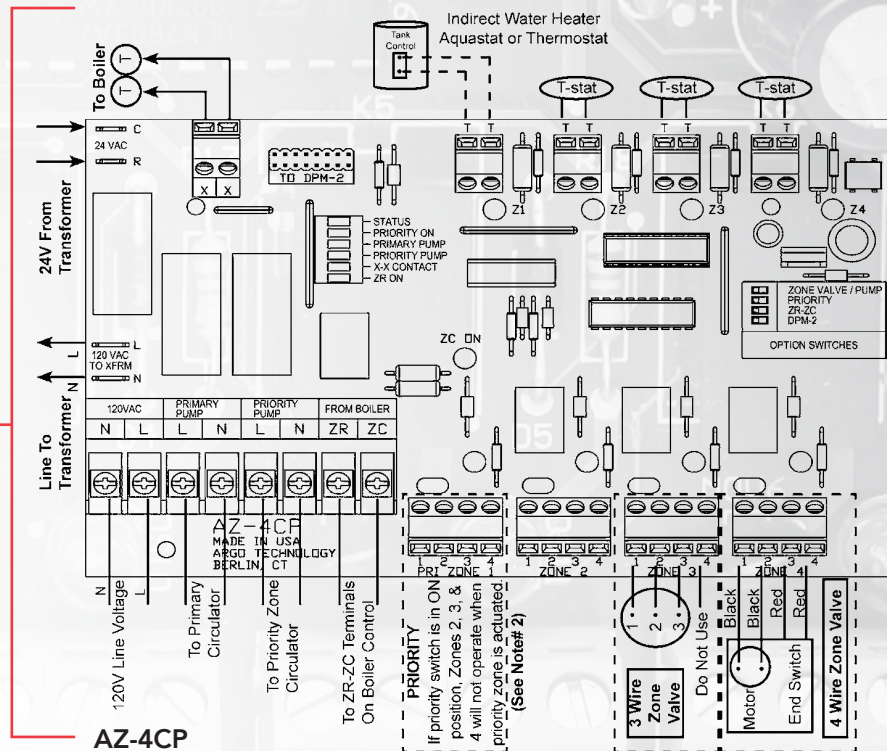
- Front window with clearly visible LED diagnostic lights showing zones calling and those satisfied
- Design is compatible with all types of thermostats, and ensures that relays energize with power robbing thermostats
- Auto reset fuse prevents service calls
- Expandable to 10 zones with priority utilizing two AZ Controls
- Clearly marked terminals for easy and accurate installation
- 5-Year Limited Warranty, 100% factory tested

Electrical Specifications

Model	Zones	Transformer Voltage	Relay Switching Action	Amp Draw
AZ-4CP	4	120 V/60 Hz/40 VA	SPST	7.2 A
AZ-6CP	6	120 V/60 Hz/75 VA	SPST	7.2 A

Wiring Diagram Notes:

1. The switching relay terminals are approved for use with copper wires only. Torque terminal block screws 6 to 7 inch pounds.
2. When using a priority zone circulator, a jumper is required between terminals 3 and 4 of Priority Zone 1. This jumper is not required when using a zone valve.



AZ-3 / AZ-5

Three and Five Zone Valve Controls

Application Flexibility

- Three (AZ-3) or five (AZ-5) zone valve controller
- Controls three or four wire 24 Vac zone valves

Installation & Service Features

- LED diagnostic lights for easy troubleshooting
- Clearly marked terminals for easy and accurate installation
- 5-Year Limited Warranty, 100% factory tested

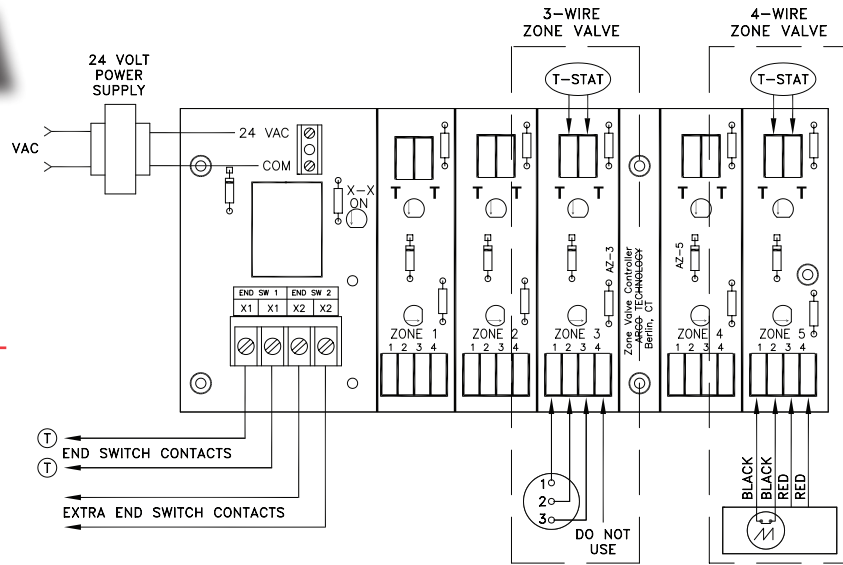
Wiring Diagram Notes:

1. Install with jumper between terminals 3 and 4 when using zone valve without an end switch.



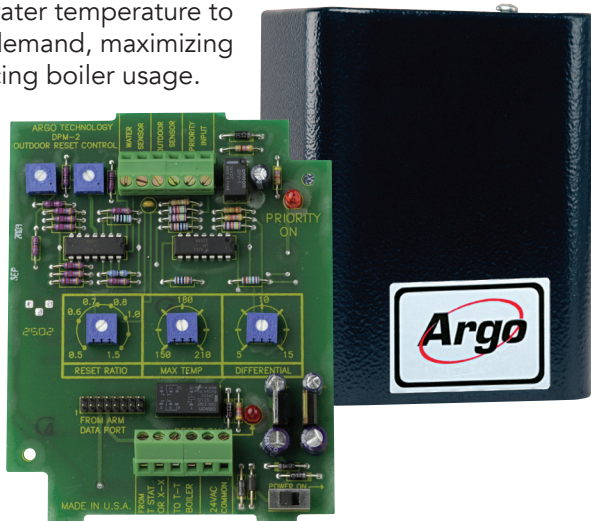
Electrical Specifications

Model	Zones	Transformer Voltage	End Switch Contact Rating
AZ-3	3	120 V/60 Hz/40 VA	5 A-1/8 hp @ 120 Vac
AZ-5	5	120 V/60 Hz/75 VA	5 A-1/8 hp @ 120 Vac



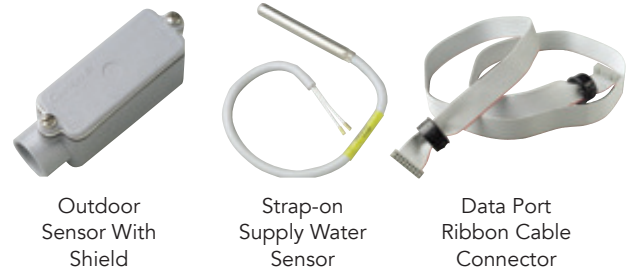
DPM-2 Outdoor Reset Control

The DPM-2 monitors outside temperature and adjusts boiler water temperature to match the heating demand, maximizing efficiency and reducing boiler usage.



- Simple plug 'n play data port ribbon connection when used in conjunction with any Argo Relay or Zone Valve Control
- Or can work with most competitors' relays
- Reduces heating costs an average of 10% - 15% a year (depending on climate).

Standard Equipment:



ECR international

2260 Dwyer Avenue, Utica, NY 13501
Tel. 315 797 1310
www.ecrinternational.com

All specifications subject to change without notice.
©2024 ECR International, Inc.
PN 240005997 REV. [09/09/24]