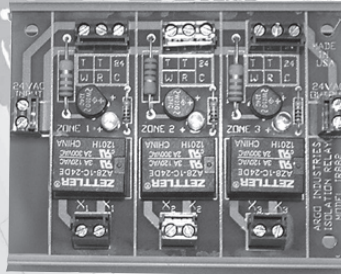


# ARGO IR SERIES CONTROL IR882



**ARGO** (Technical Support)

2201 Dwyer Avenue  
Utica, NY 13501

(Corporate Sales)

85 Middle Road  
Dunkirk, NY 14048

[www.argocontrols.com](http://www.argocontrols.com)

An **ECR** International Brand  
An ISO 9001-2000 Certified Company



P/N 240005165, Rev. 1.2 [08/07]

## INSTALLATION MANUAL AND OPERATING INSTRUCTIONS

P/N#240005165, Rev. 1.2 [08/07]

### RETAIN THIS MANUAL FOR FUTURE REFERENCE

### SAFETY SYMBOLS

The following defined symbols are used throughout this manual to notify the reader of potential hazards of varying risk levels.

#### **⚠ DANGER ⚠**

Indicates an imminently hazardous situation which, if not avoided, **WILL** result in death or serious injury.

#### **⚠ WARNING ⚠**

Indicates a potentially hazardous situation which, if not avoided, **COULD** result in death or serious injury.

#### **⚠ CAUTION ⚠**

Indicates a potential hazardous situation which, if not avoided, **MAY** result in minor or moderate injury. It may also be used to alert against unsafe practices.

**IMPORTANT:** Read the following instructions **COMPLETELY** before installing!!

#### **⚠ WARNING ⚠**

All installations should be done only by a qualified expert and in accordance with the appropriate Argo manual. Installing an electric appliance with improper methods or materials may result in serious injury or death due to fire.

### INTRODUCTION

This manual is intended to familiarize the installer and user of the Argo IR882 Control Board with its installation and operation, to assure normal trouble-free performance of the control.

Argo controls are designed and manufactured with quality components to require minimal service and for maximum life and durability. Read these instructions before installing and operating the control. It is imperative that the instructions be followed carefully to insure a satisfactory installation. Failure to do so may result in breach of warranty.

### MOUNTING INSTRUCTIONS

Mount the control horizontally on a solid wall or partition. For your convenience it is recommended that the control be mounted as close as possible to the device to be controlled. The control should never be mounted more than 75 feet away. Select a location that is easily accessible for installation and service.

**NOTE:** To reduce the possibility of relay noise that is sometimes amplified by mounting surfaces such as sheet metal, plasterboard, and similar materials, place rubber or felt washers between the case and the mounting surface.

1. Slide the Argo IR882 Series Control Board out of the mounting rail.
2. Position the mounting rail and mount it using at least 2 screws (not provided).
3. Slide the IR882 Control Board back into the mounting rail.

### ELECTRICAL SPECIFICATIONS & WIRING

#### **⚠ WARNING ⚠**

**ELECTRICAL SHOCK HAZARD!** Disconnect power before installing or servicing. Can cause severe personal injury, death, or substantial property damage if ignored.

## ELECTRICAL SPECIFICATIONS & WIRING

### IR882 Features

- ▲ The IR882 Is designed to interface solid state thermostats to other systems to prevent chatter sometimes caused by power robbing thermostats.
- ▲ Each module contains three (3) SPST relays.
- ▲ Modules can be easily chained for additional thermostats.
- ▲ Isolation of power sources.

### General Wiring Notice

All primary wiring must be 14 AWG minimum. Torque terminal screws 6 to 7 inch pounds.

**U.S.A.** - National Electric Code and any other national, state, or local code requirements. Wiring must be N.E.C. Class 1.

**CANADA** - C.S.A. C22.1 Canadian Electrical Code Part 1 and any other national, provincial, or local code requirements. Wiring must be C.S.A. C22.1 C.E.C. Part 1.

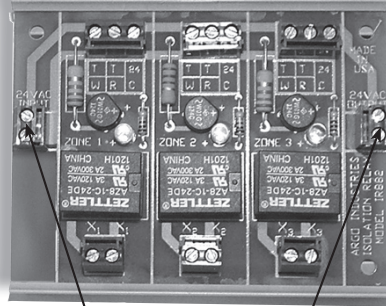
### Power Requirements

The IR882 requires 24 VAC connection to the "24 VAC Input" terminals (left side of board). The power available at the "24 VAC Output" terminals is limited by the VA rating of the transformer used. (Transformer not included.)

### Electrical Specifications

Argo Part Number	Argo Model Number	Transformer Voltage	Relay Switching Action
Z165	IR882	120V/60Hz/40Va	SPST
Relay rating - 2.5 amps, 1/10 horsepower @ 120/240 VAC			

## IR882 Isolation Relay Module



24 VAC input from 24 V power source.

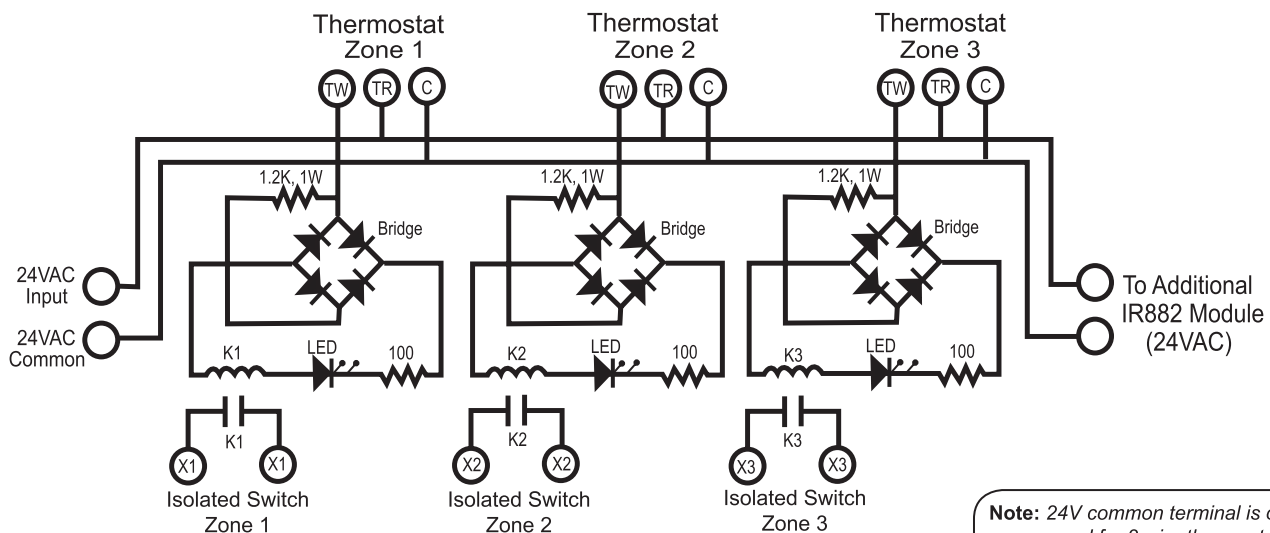
24 VAC output **used ONLY** for powering up other IR Series board's.

**Note:** All terminals on the IR882 are Class 2.

### SEQUENCE OF OPERATION

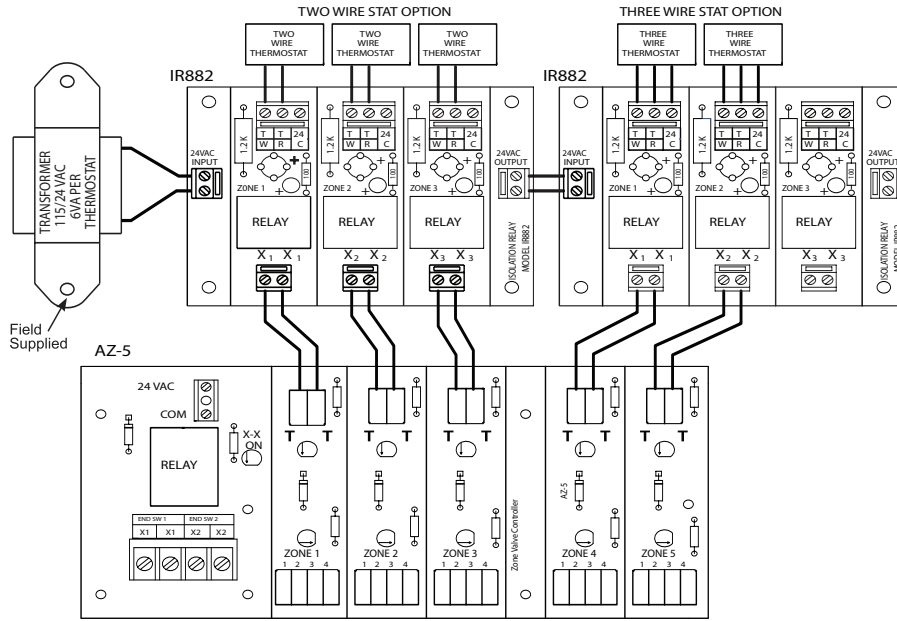
1. When a thermostat calls for heat the TW-TR contacts will close and the green LED for the corresponding zone will be illuminated.
2. The corresponding X-X terminals are then closed, sending a dry contact signal to the device wired to these terminals.
3. When the call from the thermostat ends the TW-TR contacts will then be opened, which in turn will open the corresponding X-X terminals. The green LED will also turn off.

## IR882 Wiring Schematics



**Note:** 24V common terminal is only used for 3 wire thermostats.

**Typical Application Using (2) IR882 Relays To Isolate Power Stealing Thermostats From An Argo AZ-5 Zone Control Panel**



**NOTE:** 6VA per thermostat should be acceptable for most applications. Consult your thermostat manufacturer's literature for their actual VA requirements.

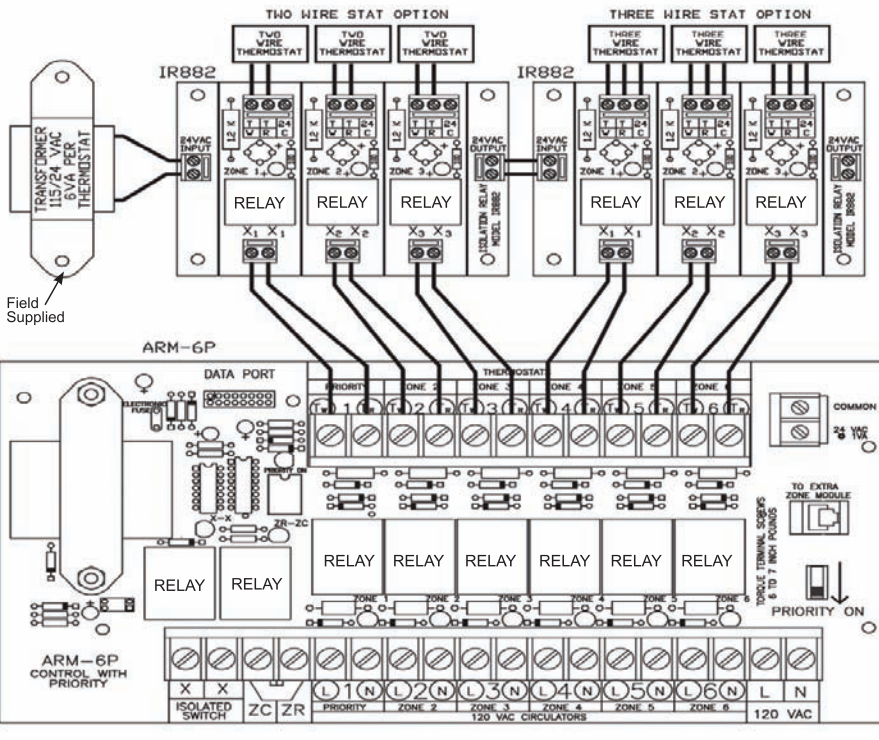
**TECHNICAL SUPPORT**

For technical support on this and all Argo products, please contact ECR International Technical Service at 1-800-325-5479. Please have your model number available when calling.

**Information Needed When Calling**

Model Number
Installation Date
Installer

**Typical Application Using (2) IR882 Relays To Isolate Power Stealing Thermostats From An Argo ARM-6P Zone Control Panel**





An **ECR** International Brand

## **ARGO CONTROLS**

P.O. Box 4729, Utica, New York 13504

Phone: 315-797-1310 • Fax: 866-432-7329

[www.argocontrols.com](http://www.argocontrols.com) • E-mail: [info@ecrinternational.com](mailto:info@ecrinternational.com)

**In Canada Contact:** ECR International Ltd. - Olsen Division, P.O. Box 900, 6800 Base Line, Wallaceburg, Ontario, Canada N8A 5E5

Ph: (519) 627-0791 • Fax: (519) 627-4719 • Web: [www.ecrltd.com](http://www.ecrltd.com) • E-mail: [info@ecrltd.com](mailto:info@ecrltd.com)